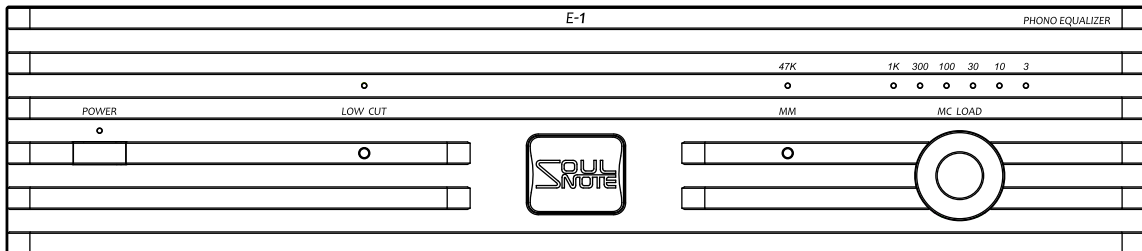


# E-1E User Guide

## Phono Equalizer Amplifier



## Table of Contents

Safety Precautions.....	3
Front Panel Names and Functions .....	6
Rear Panel Names and Functions.....	7
Balanced Input/Output.....	8
Attaching the Spike Pins.....	8
Aging.....	9
Troubleshooting .....	9
Maintenance .....	9
Specifications.....	10

### Supplied Accessories

• User Guide (this manual) .....	1
• Power cable .....	1
• Spike pin .....	3
• Wrench (Spanner).....	1

## Safety Precautions



### CAUTION

RISK OF ELECTRIC SHOCK  
DO NOT OPEN



CAUTION: TO REDUCE THE RISK OF ELECTRIC SHOCK, DO NOT REMOVE COVER (OR BACK). NO USER-SERVICEABLE PARTS INSIDE. REFER SERVICING TO QUALIFIED SERVICE PERSONNEL.



The lightning flash with arrowhead symbol, within an equilateral triangle, is intended to alert the user to the presence of uninsulated “dangerous voltage” within the product’s enclosure that may be of sufficient magnitude to constitute a risk of electric shock to persons.



The exclamation point within an equilateral triangle is intended to alert the user to the presence of important operating and maintenance (servicing) instructions in the literature accompanying the product.

### WARNING

TO REDUCE THE RISK OF FIRE OR ELECTRIC SHOCK, DO NOT EXPOSE THIS APPLIANCE TO RAIN OR MOISTURE.

A warning that an apparatus with CLASS I construction shall be connected to a MAINS socket outlet with a protective earthing connection.

# IMPORTANT SAFETY INSTRUCTIONS

## READ BEFORE OPERATING EQUIPMENT

This product was designed and manufactured to meet strict quality and safety standards. There are, however, some installation and operation precautions which you should be particularly aware of.

1. Read these instructions.
2. Keep these instructions.
3. Heed all warnings.
4. Follow all instructions.
5. Do not use this apparatus near water.
6. Clean only with dry cloth.
7. Do not block any ventilation openings.  
Install in accordance with the manufacturer's instructions.
8. Do not install near any heat sources such as radiators, heat registers, stoves, or other apparatus (including amplifiers) that produce heat.
9. Protect the power cord from being walked on or pinched particularly at plugs, convenience receptacles, and the point where they exit from the apparatus.
10. Only use attachments/accessories specified by the manufacturer.
11. Use only with the cart, stand, tripod, bracket, or table specified by the manufacturer, or sold with the apparatus. When a cart is used, use caution when moving the cart/apparatus combination to avoid injury from tip-over.
12. Unplug this apparatus during lightning storms or when unused for long periods of time.
13. Refer all servicing to qualified service personnel. Servicing is required when the apparatus has been damaged in any way, such as power-supply cord or plug is damaged, liquid has been spilled or objects have fallen into the apparatus, the apparatus has been exposed to rain or moisture, does not operate normally, or has been dropped.
14. Batteries shall not be exposed to excessive heat such as sunshine, fire or the like.



### CAUTION:

- To completely disconnect this product from the mains, disconnect the plug from the wall socket outlet. The mains plug is used to completely interrupt the power supply to the unit and must be within easy access by the user.
- Never use the unit with any other cord except the supplied power cord.

### NOTE ON USE

#### WARNINGS

- Avoid high temperatures.  
Allow for sufficient heat dispersion when installed in a rack.
- Handle the power cord carefully.  
Hold the plug when unplugging the cord.
- Keep the unit free from moisture, water, and dust.
- Unplug the power cord when not using the unit for long periods of time.
- Do not obstruct the ventilation holes.
- Do not let foreign objects into the unit.
- Do not let insecticides, benzene, and thinner come in contact with the unit.
- Never disassemble or modify the unit in any way.
- Ventilation should not be impeded by covering the ventilation openings with items, such as newspapers, tablecloths or curtains.
- Naked flame sources such as lighted candles should not be placed on the unit.
- Observe and follow local regulations regarding battery disposal.
- Do not expose the unit to dripping or splashing fluids.
- Do not place objects filled with liquids, such as vases, on the unit.
- Do not handle the mains cord with wet hands.
- When the switch is in the OFF position, the equipment is not completely switched off from MAINS.
- The equipment shall be installed near the power supply so that the power supply is easily accessible.

### DECLARATION OF CONFORMITY

We declare under our sole responsibility that this product, to which this declaration relates, is in conformity with the following standards:

EN60065, EN55032, EN55020.

Following the provisions of Low Voltage Directive 2014/35/EU and EMC Directive 2014/30/EU.

### A NOTE ABOUT RECYCLING:

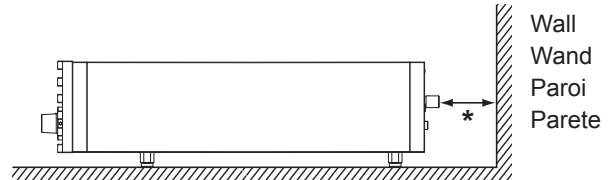
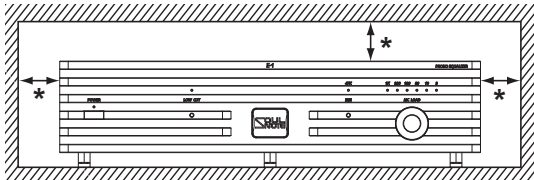
This product's packaging materials are recyclable and can be reused. Please dispose of any materials in accordance with the local recycling regulations. When discarding the unit, comply with local rules or regulations.

Batteries should never be thrown away or incinerated but disposed of in accordance with the local regulations concerning battery disposal. This product and the supplied accessories, excluding the batteries, constitute the applicable product according to the WEEE directive.



Pb

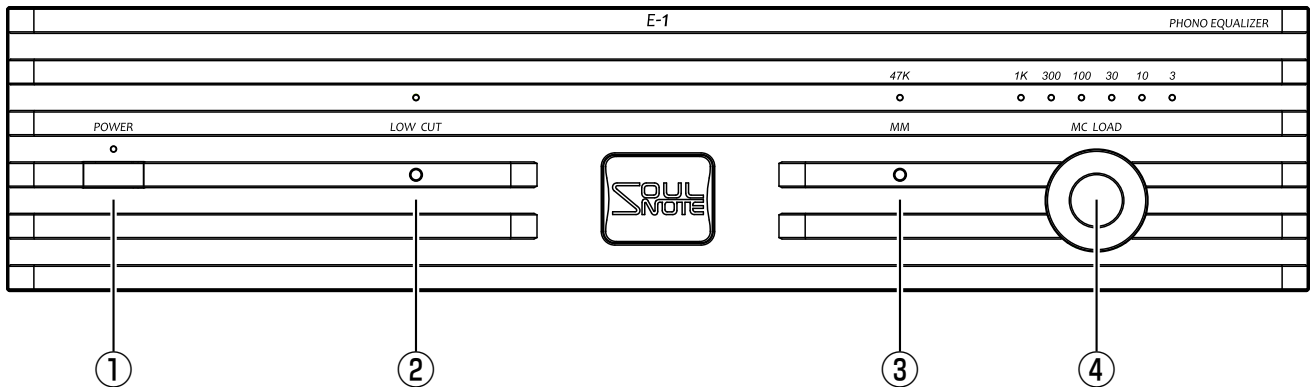
### CAUTIONS ON INSTALLATION



**\* For proper heat dispersal, do not install this unit in a confined space, such as a bookcase or similar enclosure.**

- Leave sufficient clearance (at least 10 cm) from the wall, (at least 5 cm) from top surface of the unit.
- Do not place any other equipment on this unit.

# Front Panel Names and Functions



## ① Power Switch (POWER)

Press to turn on the power, and press again to turn off. Sound is output after approx. 5 seconds have passed since the power switch is turned on.

## ② Low-cut Button (LOW CUT)

When this button is pressed, the LED lights up cutting out ultra-low range noise. This function is intended to be used when the speaker woofer moves a lot due to, for example, curve of a record. When the button is pressed again, the LED turns off canceling the setting.

### Note:

- After the button operation, the sound is muted for about 5 seconds.

## ③ MM Button

When this button is pressed, the LED lights up switching to the MM position (load impedance 47 kohm). When this button is pressed again, the LED turns off switching back to the setting to the MC position.

### Note:

- After the button operation, the sound is muted for about 5 seconds.

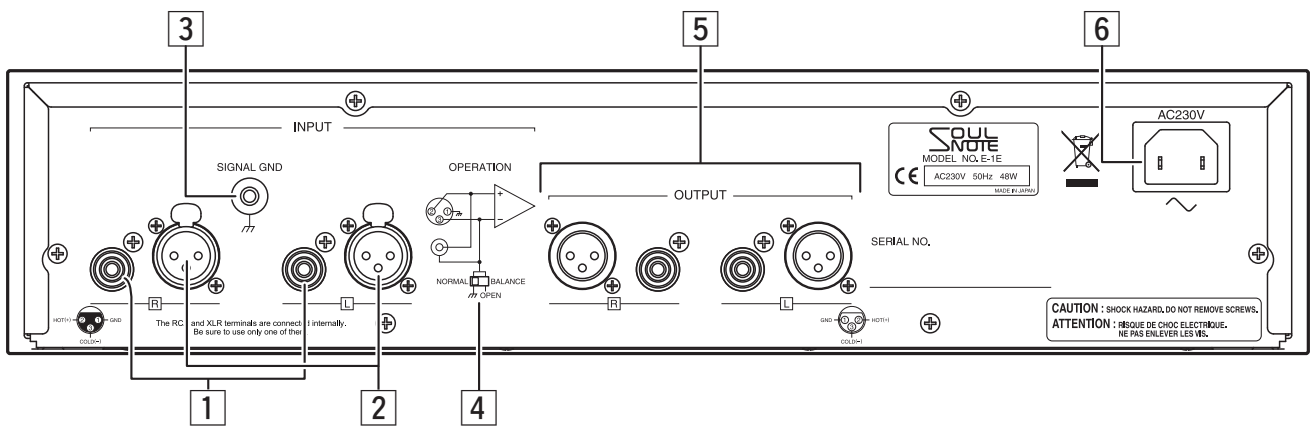
## ④ MC Load Resistance Selector Dial (MC LOAD)

Select a load resistance suitable for the MC cartridge used. The dial operation is disabled when in the MM position.

### Caution:

- Since shock noise may occur, decrease the volume on the amplifier, etc., when changing the load resistance.

# Rear Panel Names and Functions



## 1 Phono Input Terminals (RCA)

Connect the phono output of the record player to these terminals.

## 2 Phono Input Terminal (XLR)

Connect the balanced output cable of the record player to this terminal.

### Note:

- Connect either one of an RCA cable or XLR cable. DO NOT connect both .

## 3 Grounding Terminal

Connect the GND wire of the record player.

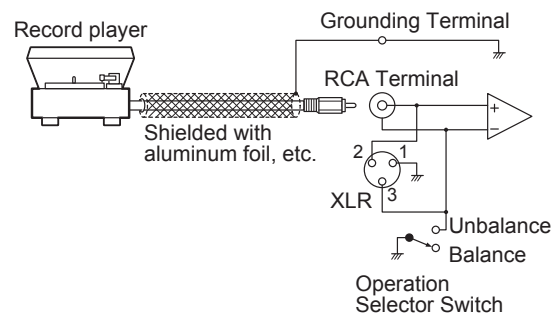
## 4 Operation Selector Switch

Switch phono amplifier operations. When Unbalance is selected, GND of the RCA cable and the XLR COLD (No. 3) are grounded.

### Notes:

- When in the MM position, the setting is fixed to Unbalance regardless of the position of this switch.
- This is not an input selector switch. RCA and XLR (No.2 and No.3, respectively) are connected inside the unit.

- A balanced operation is possible even with an RCA input, however, this may cause an induction noise due to its unshielded structure. In such a case, simply shielding the cable by covering it with aluminum foil, etc., to ground to the Grounding Terminal could eliminate the noise. (See the following diagram.)



## 5 Output Terminals

Connect these to the line input terminals such as CD and AUX terminals of the amplifier.

- **Unbalanced Output Terminals (UNBALANCED)**  
Connect these to the unbalanced line input terminals such as CD and AUX terminals of the amplifier.
- **Balanced Output Terminals (BALANCED)**  
Use these terminals with an XLR connector for balanced output. Connect these to a device with a balanced input terminal.

## 6 AC Inlet

Connect to a 230 V AC wall outlet (mains) with the supplied power cable.

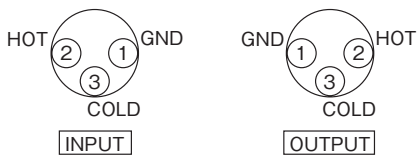
## Balanced Input/Output

The XLR Connector is used for Balanced Input/Output. There are two types of connection, “European Type” and “USA Type”.

This unit adopts European Type of XLR connector. If the connecting equipment has the “USA Type” of XLR then audio signal becomes antiphase. In this case, swap pin 2 and pin 3 of XLR connector (INPUT or OUTPUT) to work same as European Type.

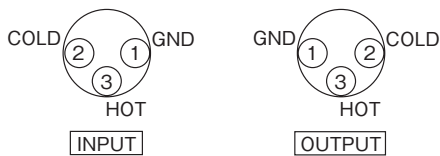
### 1. European Type (adapter for this unit)

(pin 2 = HOT, pin 3 = COLD)



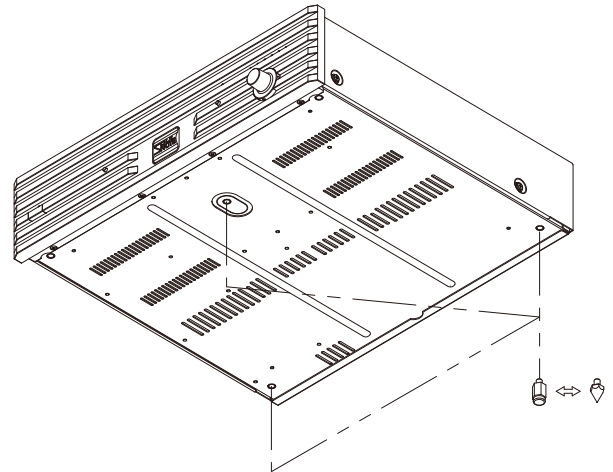
### 2. USA Type

(pin 2 = COLD, pin 3 = HOT)



## Attaching the Spike Pins

By replacing the feet with the supplied spike pins, you can tune the audio quality. Point grounding makes the sound focus and auditory lateralization sharper. Furthermore, the audio quality can be subtly tuned by changing the material of the surface on which this unit is installed.



### ⚠ Cautions

- When using the spike pins, be extremely careful not to get injured, etc.
- When using the spike pins, be careful that the surface on which the main unit is installed such as the surface of a table, shelf, etc., may become damaged.



## Aging

The Audio products including Speaker system need the aging in general. Especially many sensitive parts to get high quality sound are used in this unit, the aging is very important factor.

This unit is shipped with enough aging process to get best sound performance.

## Troubleshooting

**No sound is output. / Sound is distorted. / Noise occurs.**

- Check that the power of the unit is on.
- Check that a player is connected.
- Check that the grounding wire is connected.
- Check that a signal other than phono output is not being input.

## Maintenance

When the unit has become dirty, wipe it clean using a soft cloth. To remove stubborn stains, dilute some dish-washing liquid in 5 or 6 times as much water, soak a soft cloth in the solution, wring it out well, wipe away the stains, and then wipe the surfaces dry with a dry cloth.

Never use alcohol, paint thinners, benzene, insecticides or other volatile substances since they may mar or remove the surface gloss.

Bear in mind that rubbing surfaces with a chemical cleaning cloth or leaving such a cloth in contact with a surface for an extended time may result in deterioration.

### **Note:Fuse replacement**

If a fuse blows, contact your CSR dealer or our customer support.

## Specifications

Format .....	Complete balanced non-feedback phono equalizer amplifier
RIAA deviation .....	$\pm 0.3$ dB, 20 Hz to 100 kHz
Input sensitivity .....	MC: 0.5 mV MM: 5 mV
Load resistance .....	MC: 3, 10, 30, 100, 300, 1 kohm MM: 47 kohm
Gain .....	MC: 70dB (1 kHz) MM: 50dB (1 kHz)
Rated output	
Unbalanced output .....	1.4 Vrms
Balanced output .....	2.8 Vrms
Power voltage .....	230 V AC , 50 Hz
Power consumption .....	48 W (EN60065)
Maximum external dimensions	
	430 (W) x 109 (H) x 409 (D) mm
Weight .....	9.5 kg





**CSR, Inc.**

<https://www.soulnote.link/>